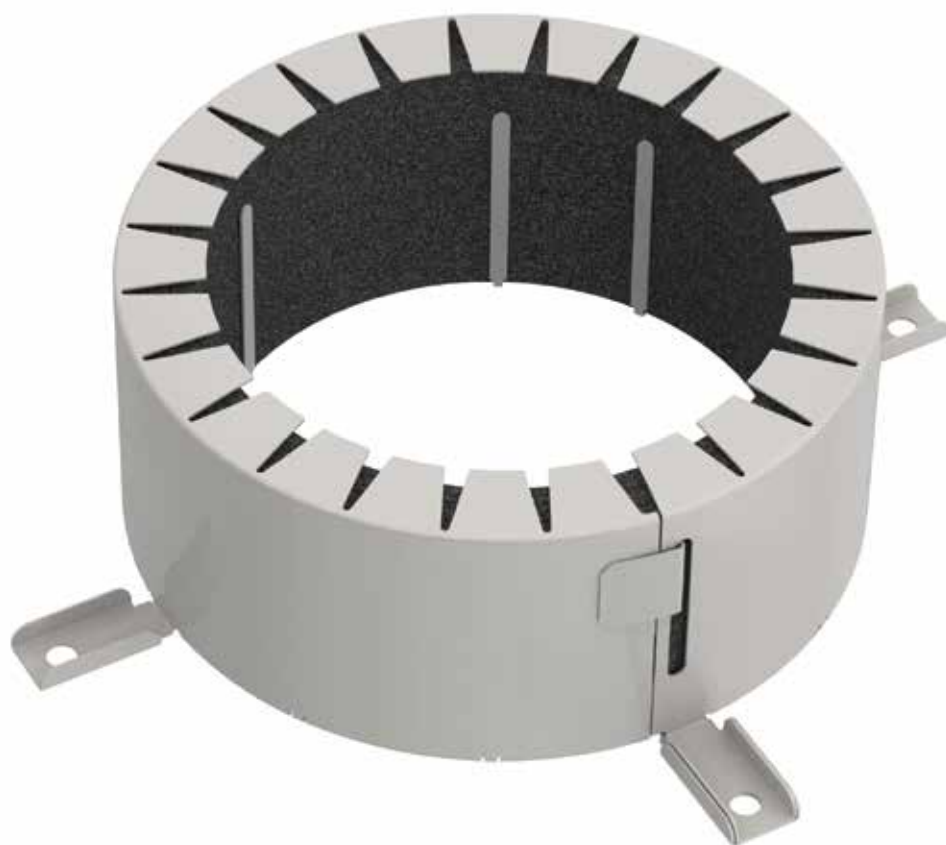


MG2-A U

Surface-mounted fire resistant U/U collar for plastic pipes.



CE
0749










Table of content

Declaration of performance	3
Product presentation MG2-A U	4
Range and dimensions MG2-A U	4
Storage and handling	5
Installation	5
Installation in rigid wall and floor	6
Installation in flexible wall (metal stud gypsum plasterboard wall)	7
Weights	8
Approvals and certificates	8

Explanation of the abbreviations and pictograms

Dn = nominal diameter
E = integrity

I = thermal insulation
GKB (type A) / GKF (type F): "GKB" stands for standard plasterboards (type A according to EN 520) while "GKF" plasterboards offer a higher fire resistance for a similar plate thickness (type F according to EN 520)

	fast installation		installation U/U, U/C, C/C, C/U (uncapped-uncapped, uncapped-capped, capped-capped, capped-uncapped).
	water- and frost-resistant		suitable for PE-HD pipes according to EN 1519-1, EN 12666-1 or EN 12201-2 and for ABS pipes according to EN 1455-1
	suitable for PVC-U pipes according to EN 1329-1, EN 1453-1 or EN 1452-1 and for PVC-C pipes according to EN 1566-1		suitable for PP pipes according to EN 1451-1
	suitable for surface-mount		

DECLARATION OF PERFORMANCE

CE_DoP_Rf-t_M4_EN = A-08/2019

1. Unique identification code of the product-type:	MG2-A U
2. Intended use/es:	Sealing flammable pipes in penetrations through fire compartment walls and floors.
3. Manufacturer:	RF-Technologies NV, Lange Ambachtstraat 40, B-9860 Oosterzele
4. System/s of AVCP:	System 1
5. Harmonised standard / European Assessment Document; notified body / European Technical Assessment, Technical Assessment Body, notified body; certificate of constancy of performance:	EAD 350454-00-1104, ETA 19/0277; UBAtc asbl; BCCA with identification number 0749; BCCA-0749-CPR-BC1-262-464-026-2.04-2517
6. Declared performance according to EAD 350454-00-1104	(fire resistance according to EN 1366-3, classification according to EN 13501-2)

Essential characteristics							Performance
Wall type	Wall	Sealing	Type of pipe	Material pipe	Pipe diameter (mm)	Pipe wall thickness (mm)	Classification
Flexible wall / rigid wall / rigid floor	Metal studs gypsum plasterboard Type F (EN 520) ≥ 100 mm / Aerated concrete (wall) ≥ 100 mm / Aerated concrete (floor) ≥ 150 mm	Not applicable	standard	PVC	32-75	1,8-3,6	EI 120-U/U
					80	1,9-5,3	EI 120-U/U
					90	2,0-5,3	EI 120-U/U
					100	2,1-5,3	EI 120-U/U
					110	2,2-5,3	EI 120-U/U
					125	2,5-7,7	EI 120-U/U
					140	2,8-7,7	EI 120-U/U
					160	3,2-7,7	EI 120-U/U
					PE, ABS	32-75	1,8-4,5
				80		2,4-6,6	EI 120-U/U
				90		2,5-6,6	EI 120-U/U
				100		2,6-6,6	EI 120-U/U
				110		2,7-6,6	EI 120-U/U
				125		3,1-9,5	EI 120-U/U
				PP	140	3,5-9,5	EI 120-U/U
					160	4,0-9,5	EI 120-U/U
					32-40	1,8-4,5	EI 120-U/U
					50	2,1-4,5	EI 120-U/U
					56	2,3-4,5	EI 120-U/U
					63	2,6-4,5	EI 120-U/U
					75	3,0-6,6	EI 120-U/U
Flexible wall / rigid wall	Metal studs gypsum plasterboard Type F (EN 520) / Aerated concrete ≥ 100 mm	Not applicable	standard	PP	125	3,9-9,5	EI 120-U/U
					140	4,3-9,5	EI 120-U/U
					160	4,9-9,5	EI 120-U/U
					Rigid floor	Aerated concrete ≥ 150 mm	Not applicable
140	4,3-9,5	E 120-U/U					
160	4,9-9,5	E 120-U/U					

Harmonised standard
EAD 350454-00-1104

1 installation U/U, U/C, C/C, C/U (uncapped-uncapped, uncapped-capped, capped-capped, capped-uncapped).



Reaction to fire

Durability and ease of maintenance

class E (EN 13501-1)

Y2

The performance of the product identified above is in conformity with the set of declared performance/s. This declaration of performance is issued, in accordance with Regulation (EU) No 305/2011, under the sole responsibility of the manufacturer identified above.

Signed for and on behalf of the manufacturer by:
Mathieu Steenland, Technical Manager

Oosterzele, 08/2019



Product presentation MG2-A U

The MG2-A U surface-mounted fire resistant collar is suitable for ventilated and non-ventilated plastic pipes (PVC, HDPE, PP, ABS). It has been tested according to EN1366-3 and is fire resistant up to 120 minutes in rigid walls and floors and in flexible walls. In case of a wall, a collar is installed on both sides of the wall. In case of a floor, a single MG2-A U is enough on the lower side of the floor.

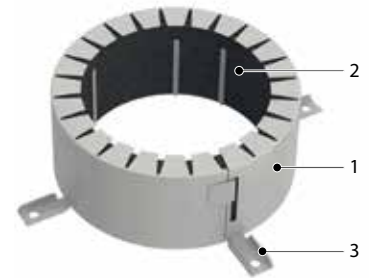
When combustible pipes burn away, openings appear in the floor or walls through which fire can spread. Fire resistant collars prevent propagation of fire by expanding through heat, thus closing off the openings and making them fire resistant.

- ✓ suitable for ventilated (vented) plastic pipes.
- ✓ installation U/U, U/C, C/C, C/U (uncapped-uncapped, uncapped-capped, capped-capped, capped-uncapped).
- ✓ water- and frost-resistant
- ✓ fast installation
- ✓ no specific tools, no sealing required

- maintenance-free
- suitable for surface-mount
- suitable for PVC-U pipes according to EN 1329-1, EN 1453-1 or EN 1452-1 and for PVC-C pipes according to EN 1566-1
- suitable for PE-HD pipes according to EN 1519-1, EN 12666-1 or EN 12201-2 and for ABS pipes according to EN 1455-1
- suitable for PP pipes according to EN 1451-1

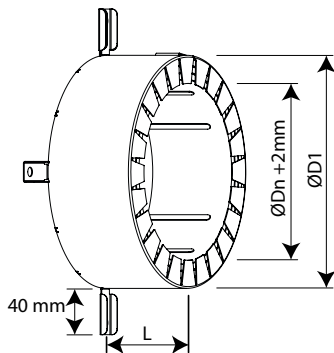


1. steel housing
2. intumescent strips
3. wall anchors



Range and dimensions MG2-A U

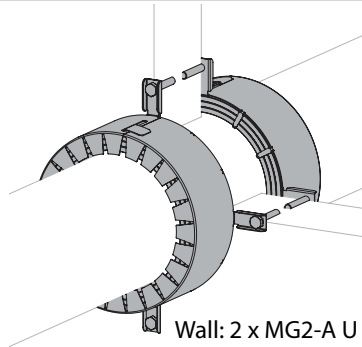
number of fixation points: 2 (ØDn 32-75) / 3 (ØDn 80-110) / 4 (ØDn 125-160)



ØDn (mm)	32	40	50	56	63	75	80	90	100	110	125	140	160
D1	62,6	70,6	80,6	86,6	93,6	105,6	110,6	120,6	130,6	140,6	174,6	189,6	209,6
L	60	60	60	60	60	60	60	60	60	60	80	80	80

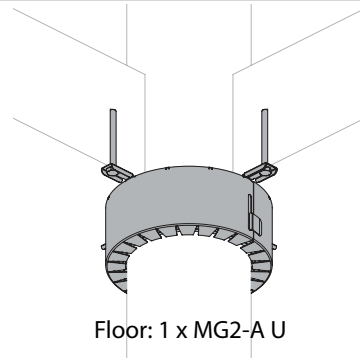
D1 = outside diameter of the collar
 Dn = inside diameter of the collar, corresponding to the outside diameter of the pipe

Wall: 2 x MG2-A U



Wall: 2 x MG2-A U

Floor: 1 x MG2-A U



Floor: 1 x MG2-A U

Storage and handling

As this product is a safety element, it should be stored and handled with care.

It is recommended:

- to unload in a dry area
- to keep in a cool, dry area, protected from heat
- to transport the product in a closed vehicle

Installation

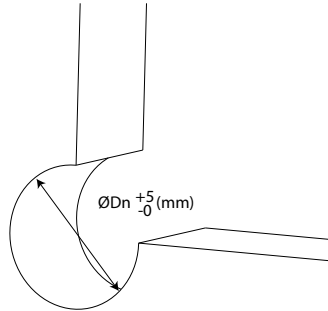
General points

- The installation must comply with the installation manual and the classification report.
- The pipe must be supported in order to guarantee the well-functioning of the sealing during a fire. Supports and fastenings should be realised according to the rules of good craftsmanship.

Installation in rigid wall and floor

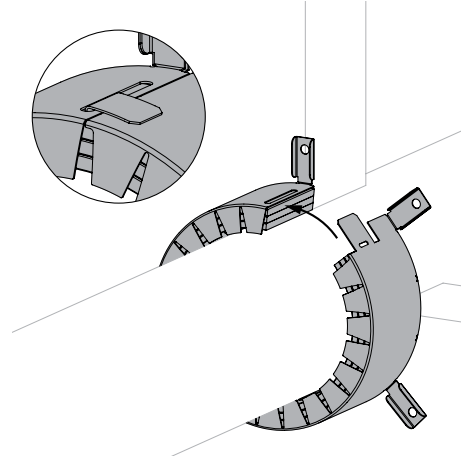
The product was tested and approved in: see the classification overview in the Declaration of Performance. Mounting is authorised in supporting constructions with a thickness and/or density equal or superior to the supporting construction used during the test, as described in EN 1366-3.

1



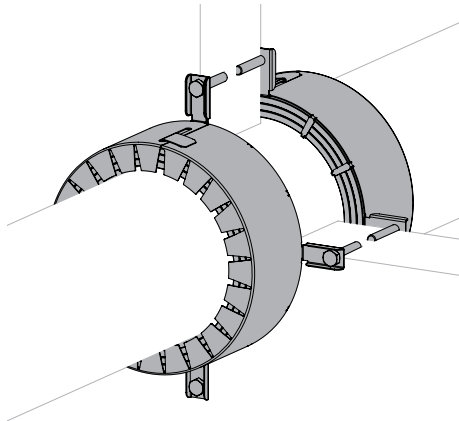
1. Provide an installation opening of $\varnothing D_n$ mm.

2



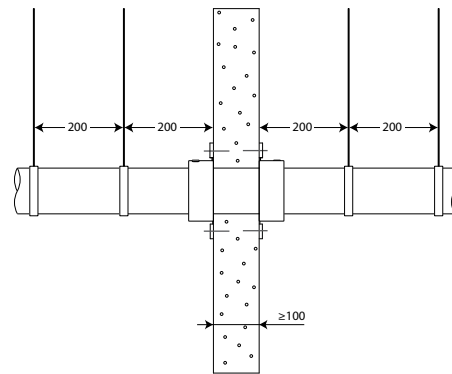
2. Place the plastic pipe.
Keep one end of the collar in place with your left hand whilst bending the collar around the pipe with your right hand. In order to close the collar, introduce the metallic flap through the foreseen opening then place the wall anchors on top of each other (left anchor on top of the right one). Fold the flap back to the right.

3



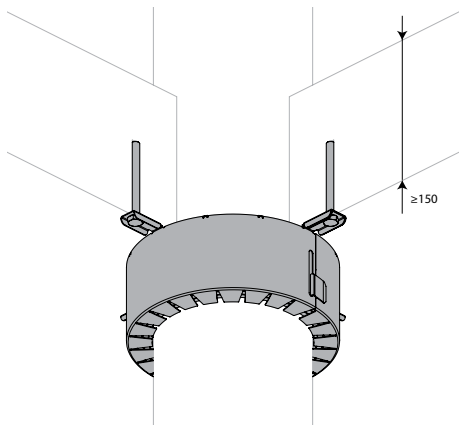
3. Reinforced concrete: place expander bolts in the pre-drilled holes $\varnothing 6$ mm and fasten them. Aerated concrete: fix with universal M6 screws.

4



4. Mount the second collar on the other side of the wall in the same way.
Apply the label nearby the collar.

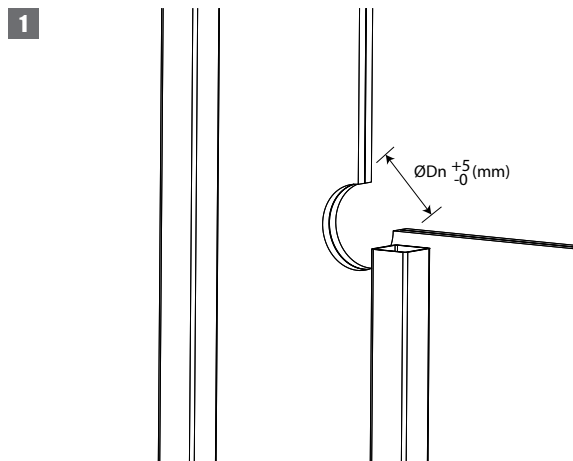
5



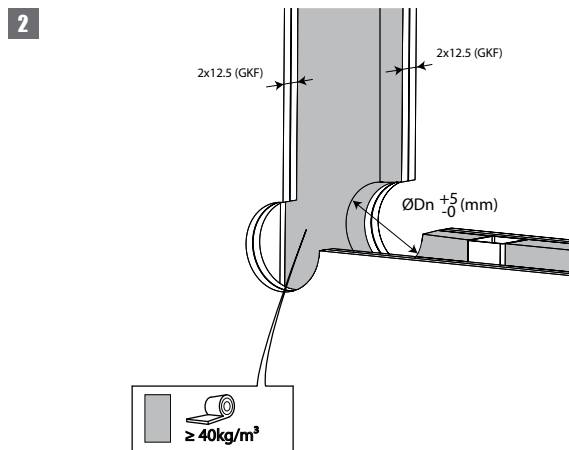
5. One collar on the bottom side of the floor is sufficient for floor penetrations.

Installation in flexible wall (metal stud gypsum plasterboard wall)

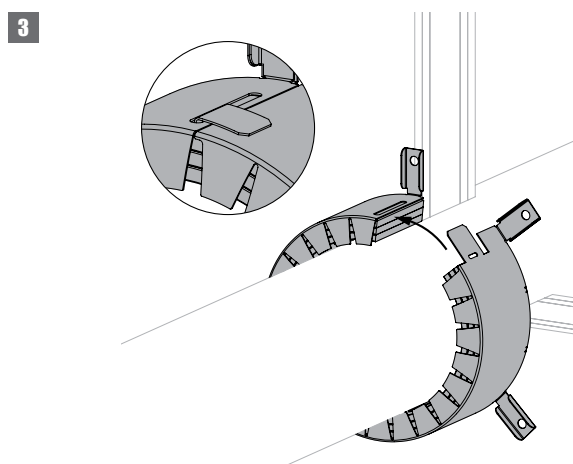
The product was tested and approved in: see the classification overview in the Declaration of Performance. Mounting is authorised in supporting constructions with a thickness and/or density equal or superior to the supporting construction used during the test, as described in EN 1366-3.



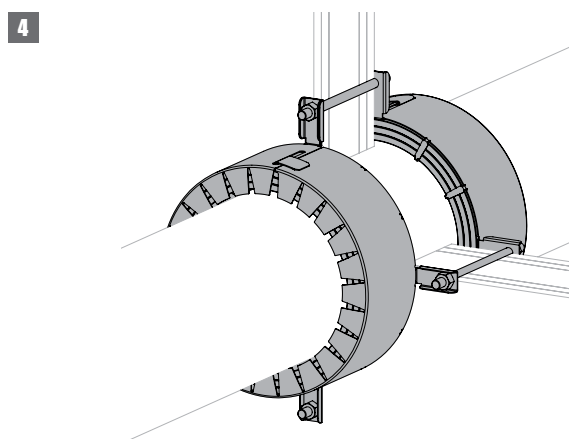
1. Fix two gypsum boards type F with a thickness of 12,5 mm to one side of the metal stud wall. Provide an installation opening of $\varnothing D_n$ mm.



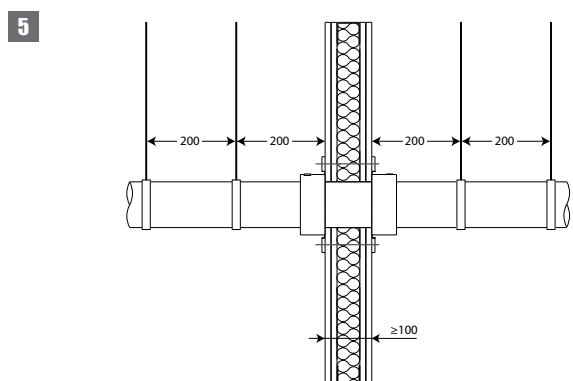
2. Insulate the wall and finish with two gypsum plasterboards type F.



3. Place the plastic pipe. Keep one end of the collar in place with your left hand whilst bending the collar around the pipe with your right hand. In order to close the collar, introduce the metallic flap through the foreseen opening then place the wall anchors on top of each other (left anchor on top of the right one). Fold the flap back to the right.



4. The MG2-A U must be fixed by threaded rods, washers and bolts (M6). Mount the second collar on the other side of the wall in the same way. Apply the label nearby the collar.



5. The distance between the pipe and the wall anchors must be 200 mm. The thickness of the collar must be ≥ 100 mm.

Weights

MG2-A U

$\varnothing D_n$ [mm]	32	40	50	56	63	75	80	90	100	110	125	140	160
kg	0,4	0,5	0,5	0,6	0,6	0,7	0,7	0,8	0,8	0,9	2,0	2,1	2,3

Approvals and certificates

All our products are submitted to a number of tests by official test institutes. Reports of these tests form the basis for the approvals of our products.



BCCA-0749-CPR-BC1-262-464-026-2.04-2517